

WATER SUPPLY SELF LOCKING COUPLING DUCTILE IRON FOR PVC AND PE PIPES

Water supply self locking coupling ductile iron for water supply, drinking water, watering and distribution networks.

Self locking ring.

Direct mounting on pipe without dismantling the fitting.

French water agreement ACS for drinking water.



Size : DN63 to DN315

Connection : For PVC-PE pipes

Min Temperature : +0°C

Max Temperature : +60°C

Max Pressure : 16 Bars up to DN200, 10 bars over

Specifications : Ductile iron body

Direct mounting on the pipe

EPDM gasket

Materials : Ductile iron EN GJS-500-7

WATER SUPPLY SELF LOCKING COUPLING DUCTILE IRON FOR PVC AND PE PIPES

SPECIFICATIONS :

- Ductile iron body
- EPDM gasket
- With mechanical locking ring to avoid axial movement of the pipe
- Anti-corrosion Geomet 500 grade B coated bolting
- Epoxy painting blue color RAL 5017, 250µ thickness

USE:

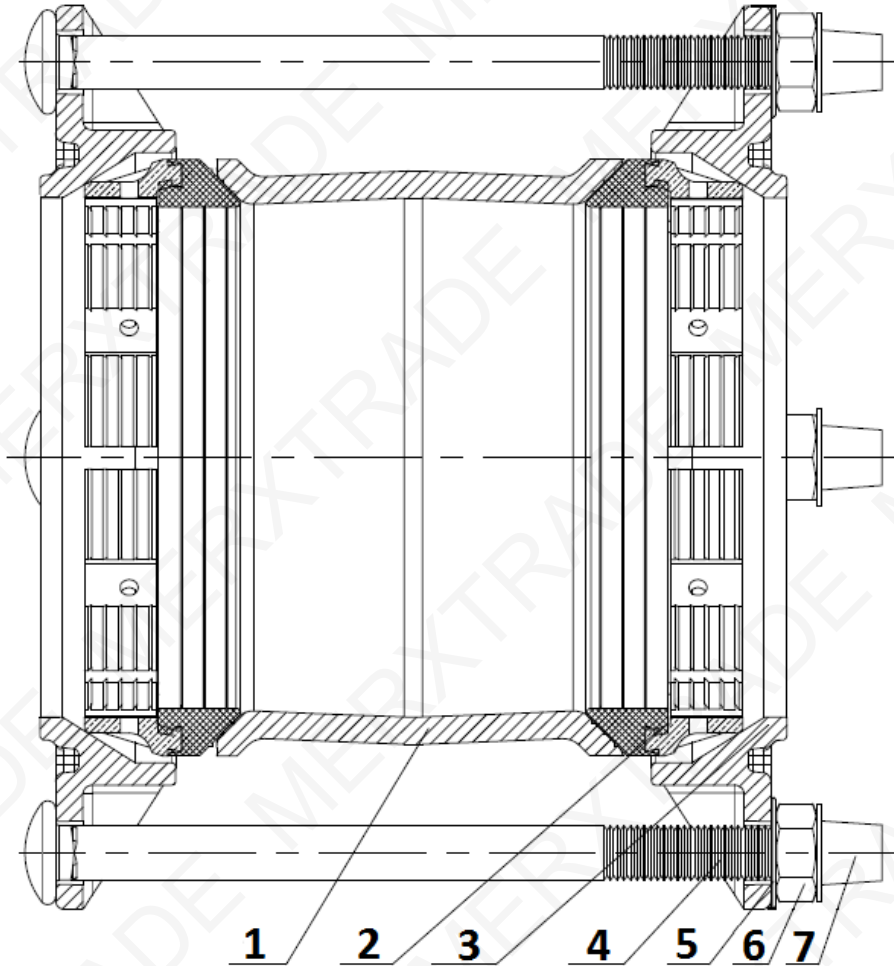
- Water supply and distribution networks
- Suitable for PVC and PE pipes
- Min and max Temperature Ts : + 0°C to + 60°C
- Max Pressure Ps : 16 bars up to DN200, 10 bars over

RANGE :

- Water supply coupling for PVC and PE pipes from DN 63 to DN 315

WATER SUPPLY SELF LOCKING COUPLING DUCTILE IRON FOR PVC AND PE PIPES

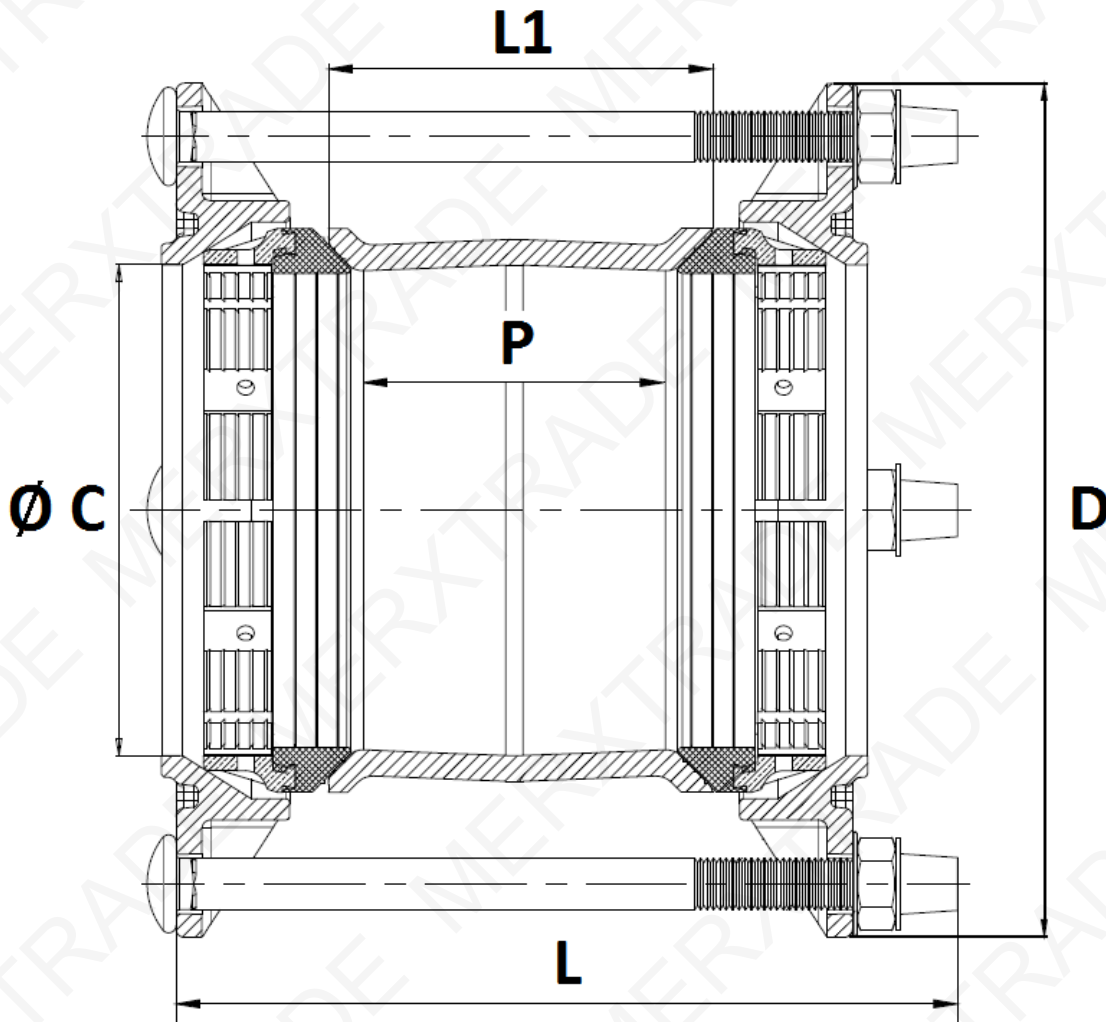
MATERIALS :



Item	Designation	Materials
1	Body	Ductile iron EN GJS-500-7
2	Ring	Brass + EPDM
3	Flange	Ductile iron EN GJS-500-7
4	Screw	Carbon steel Geomet 500 Grade B coated Class 8.8
5	Washer	
6	Nut	
7	Cap	Plastic

WATER SUPPLY SELF LOCKING COUPLING DUCTILE IRON FOR PVC AND PE PIPES

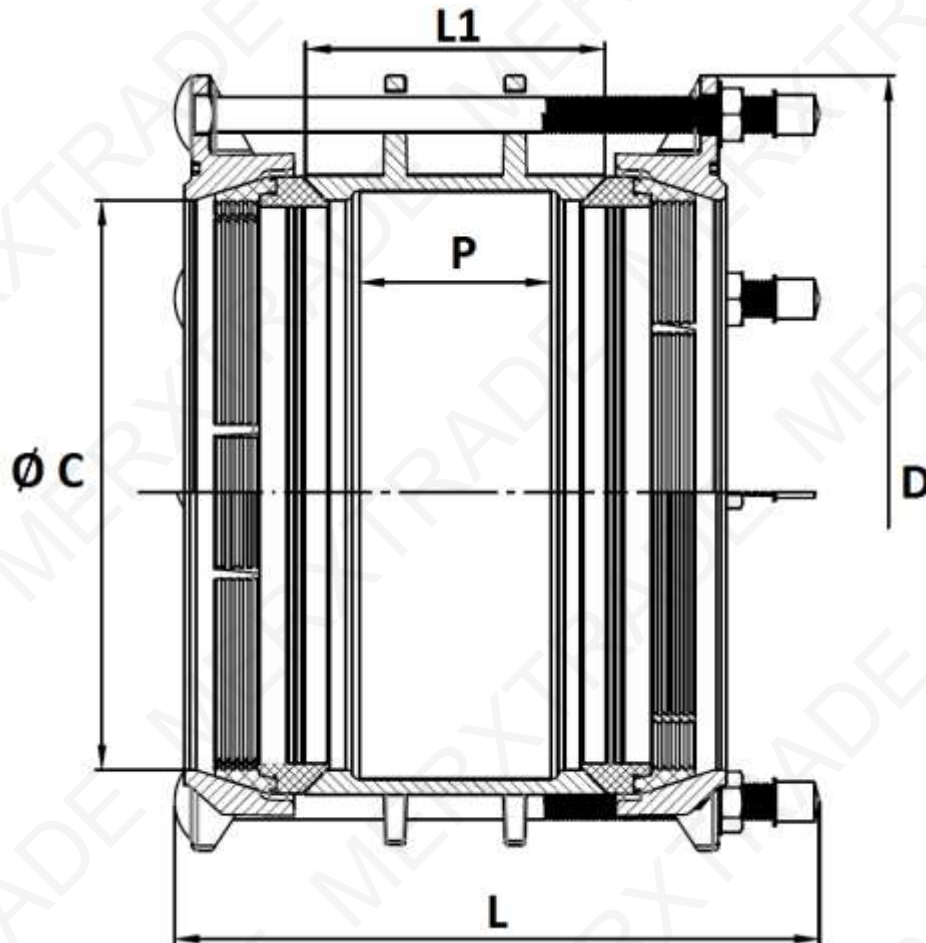
SIZE DN63-200 (in mm) :



DN	63	75	90	110	125	140	160	180	200
Ø C	66	79	93	115	127	143	164	185	204
Ø D	160	165	180	205	215	240	270	275	325
L	200	200	200	200	200	200	200	200	220
L1	95	95	95	95	95	95	95	95	105
P	60	60	60	65	65	60	60	60	75
Screw	M12x190			M14x190					M14x210
Nb of screw	4	2	4	4	4	4	4	4	4
Weight (Kg)	3.6	4.2	4.6	5.5	5.6	7.1	7.7	9.1	10.5

WATER SUPPLY SELF LOCKING COUPLING DUCTILE IRON FOR PVC AND PE PIPES

SIZE DN225-315 (in mm) :



DN	225	250	280	315
Ø C	230	255	283	318
Ø D	330	370	380	425
L	290	290	290	320
L1	135	135	135	180
P	88	88	88	135
Screw	M16x280	M16x280	M16x280	M16x310
Nb of screw	4	6	6	6
Weight (Kg)	19.4	24.6	24	30.6

WATER SUPPLY SELF LOCKING COUPLING DUCTILE IRON FOR PVC AND PE PIPES

STANDARDS :

- Manufacturer certified ISO 9001 : 2015
- Directive 2014/68/EU : Products excluded from directive (Article 1, § 2.b)
- Construction according to EN 14525
- French water agreement **A.C.S. N° 23 ACC LY 452**
- Pressure tests according to ISO 5208
- Fittings for PE pipe according to NF EN 12842
- Bolting with anti-corrosion coating according to NF EN ISO 9227 + NFA05-109
- Coating according to RoHS 2002/95/CE

ADVICE : Our opinion and our advice are not guaranteed and merxtrade shall not be liable for the consequences of damages. The customer must check the right choice of the products with the real service conditions.

WATER SUPPLY SELF LOCKING COUPLING DUCTILE IRON FOR PVC AND PE PIPES

ASSEMBLY INSTRUCTIONS :

GENERAL RULES:

- Make sure that the connectors are appropriate for the actual service conditions (type of fluid, pressure, temperature).

ASSEMBLY INSTRUCTIONS:

- Check that the outer diameter of the pipe matches the accepted diameter for the connector.
- Before assembly, check that the pipe and the connector are clean.
- Cut the pipe perpendicularly to the piping axis using an appropriate tool (do not bevel the pipe).
- Remove any possible burrs.
- The piping must be perfectly aligned and its support properly sized so that the connectors are not under any external constraints.
- Provisionally shim sections of piping that still lack their definitive supports. This prevents significant constraints being applied on the connectors.
- Insert the pipe in the connector without dismantling the latter concentrically.
- The connection nuts and bolts must be tightened in a crosswise pattern with the following torque: M12: 55-65 Nm / M14: 85-95 Nm / M16: 95-120 Nm
- When the bolts are tightened, insert the plastic protections at the end of the screws
- For the pipes over DN63, please add a metal insert inside the pipe to avoid a deformation and keep a good tightness